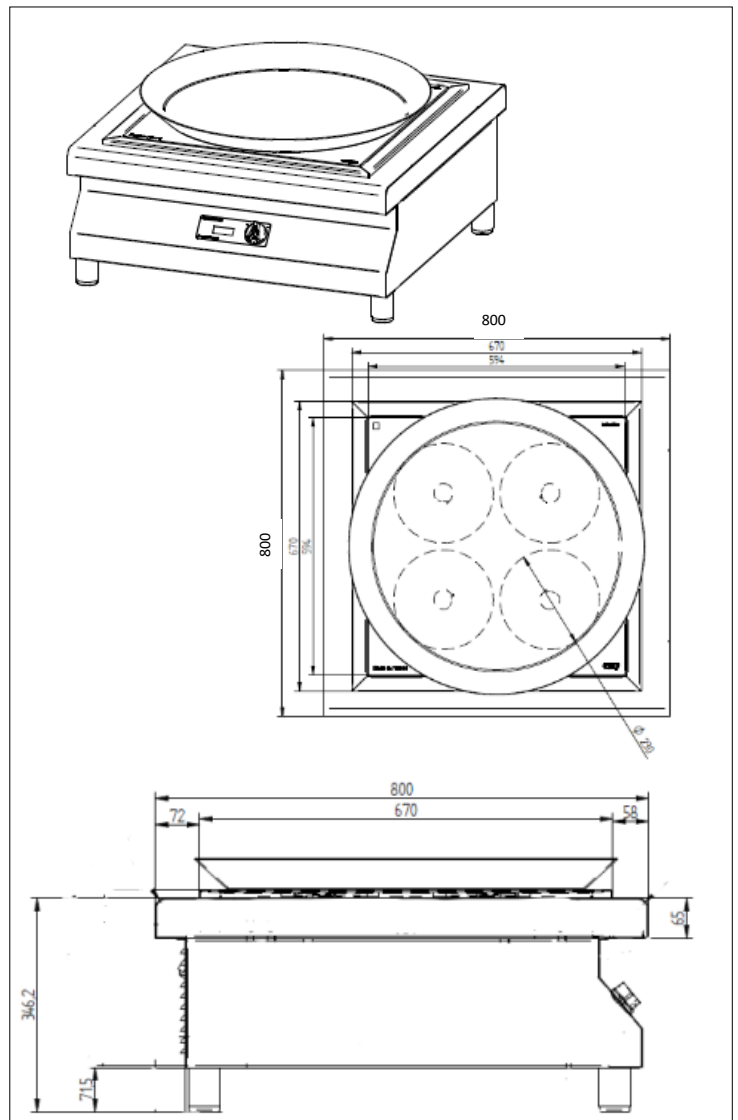




TECHNICAL FEATURES	
External structure	AISI 304 stainless steel and vitroceramic with stainless steel frame
Dimensions	800x800x350mm
Power	8.000 W
Cooking surface	594x594mm = cooking surface
Control panel	Knob control
Amp	24A
Functions	On/Off, manual power setting (+/-) with 4 digits display.
Power supply	360-440V three-phase AC 50-60Hz
Weight	95 kg / 209,4lbs
Standards	Complies with current standards (electric device safety + CEM)
Options & Details	One electrical connection. Including a filter (wash regularly). Adjustable foot.



ADVENTYS
Route de Pagny - 21250 Seurre - France
www.adventys.com
sales@adventys.com
T: +33 3 80 20 46 15

Important note

Adventys reserves the right to modify specifications without notice.

